

## Features

- Siphon jet.
- 3/4" (19 mm) top spud.
- 0.5 or 1.0 gpf (1.9 or 3.8 lpf) based on valve selected.
- Includes inlet and outlet spuds and hangers.
- Includes anti-backsplash wall.
- 14-1/2" (368 mm) extended rim.
- Antimicrobial finish inhibits the growth of mold-, mildew-, stain-, and odor-causing bacteria on the fixture surface. This product does not protect users against bacteria, viruses, or other disease organisms. Always clean and wash this product thoroughly before and after each use.



## Material

- Vitreous china.

## Recommended Products/Accessories

- K-23726 Drain treatment
- K-23725 Cast iron cleaner
- K-7526 Touchless hybrid 0.5 gpf urinal flushometer
- K-7537 Exposed hybrid 0.5 gpf washdown urinal flushometer
- K-7537-RF Exposed hybrid 0.5 gpf urinal flushometer retrofit
- K-13519 Manual 0.5 GPF Urinal Flushometer
- K-13519-RF Manual 0.5 GPF Urinal Flushometer
- K-76318 Manual 0.5 GPF Urinal Flushometer
- K-7527 Touchless hybrid 1.0 gpf washdown urinal flushometer
- K-7542 Exposed hybrid 1.0 gpf urinal flushometer
- K-76319 Manual 1.0 GPF Urinal Flushometer

## Included Components

Additional Components:

- 2" outlet spud
- 3/4" inlet spud
- Hanger(s)



**ADA**

## Codes/Standards

- ASME A112.19.2/CSA B45.1
- DOE - Energy Policy Act 1992
- EPA WaterSense®
- California Energy Commission (CEC)
- ADA
- ICC/ANSI A117.1

## KOHLER® One-Year Limited Warranty

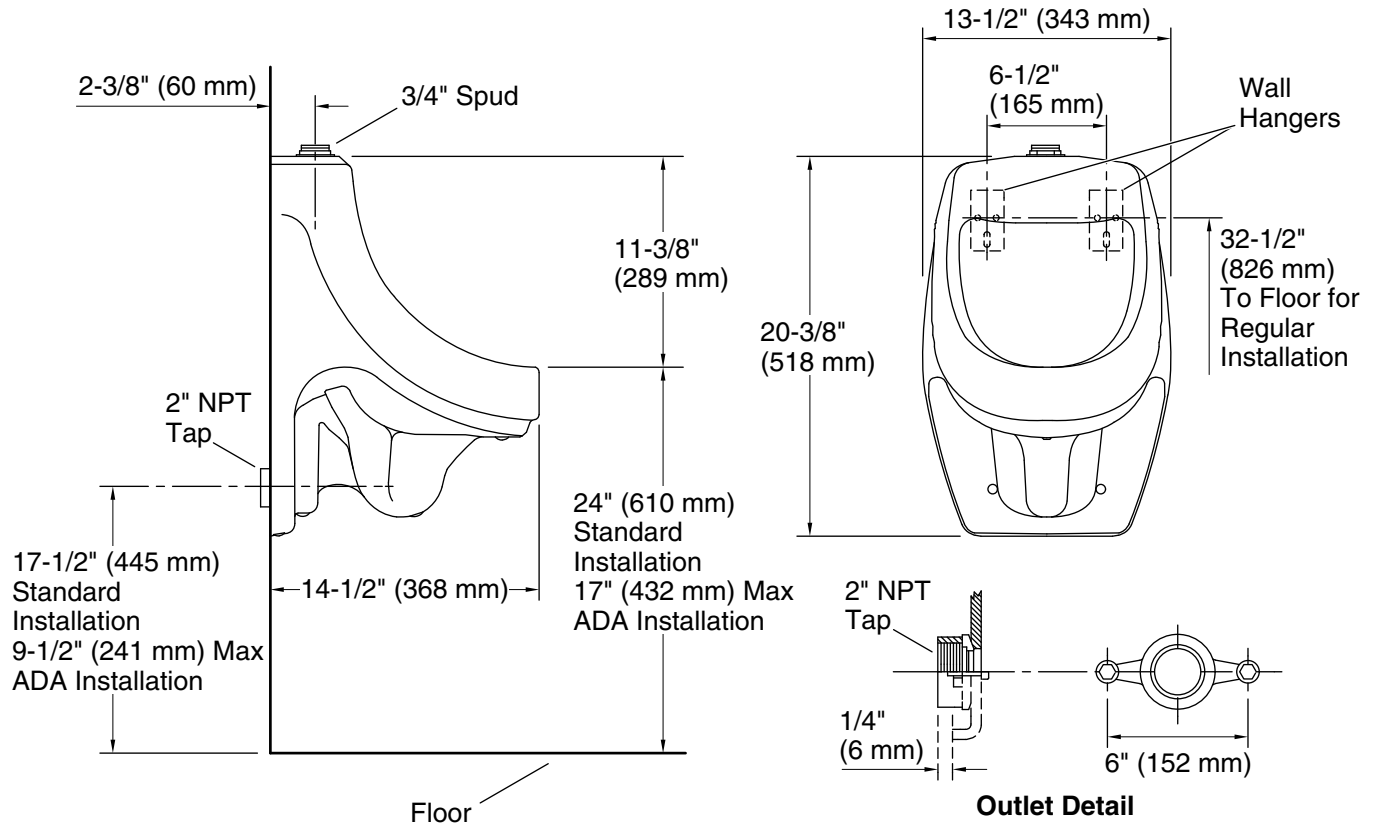
See website for detailed warranty information.

## Available Colors/Finishes

*Color tiles intended for reference only.*

### Color Code Description

	0	White
---	---	-------



## Technical Information

All product dimensions are nominal.

Flush outlet technology:	Siphon jet
Spud size:	3/4", Inlet, Top
Max. Water per Flush:	0.5 gal (1.9 L)

## Notes

Install this product according to the installation instructions.

Refer to manufacturer's instructions and local codes for flushometer requirements.

Recommended ADA outlet spud height will account for normal product variation.

For ADA compliance, measurement must be 17" (432 mm) or less from the floor to the top of the lip.

ADA compliant when installed to the specific requirements of these regulations.